

## Glucose Oxidase BIOSENSOR

Type: AC1.GOD

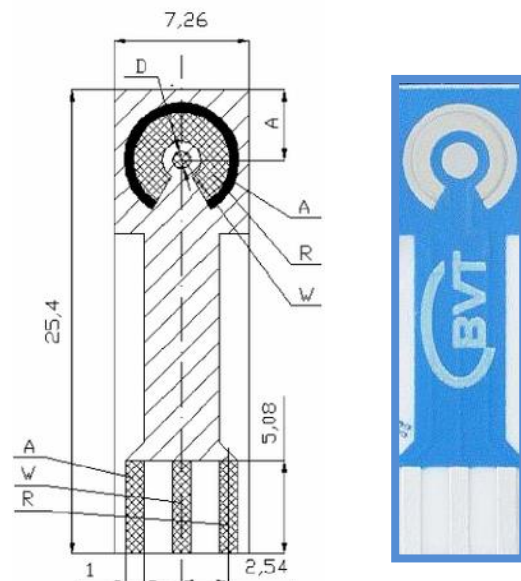
### Description

Glucose Oxidase (GOD) from *Aspergillus Niger* is immobilized on the active surface of a working electrode of amperometric substrate AC1.W2.RS. The diameter of the immobilized bioactive membrane is 2 mm and the mean applied activity is 1 unit/mm<sup>2</sup>.

### Physical parameters

Dimensions:  
 Weight: 0.5 gms  
 Length: 25.40 mm  
 Width: 7.26 mm  
 Thickness: 0.63 mm

A = 4.00 mm  
 D<sub>W</sub> = 1.00 mm



Electrode Materials are defined by:

### AC1.W2.RS

W ... Working electrode - pure platinum

R ... Reference electrode - silver (Detailed description of sensor: datasheet AC1.W\*.R\* (\*))

Enzymatic membrane containing cca 1 IU of GOD enzyme is immobilized on the working electrode surface.

Unit definition Glucose Oxidase from *Aspergillus Niger*:

- GOD
- B-D-Glucose: oxygen 1-oxidoreductase
- Sigma - type X-S
- One unit will oxidize 1.0 μmole of B-D-glucose to D-gluconolactone and H<sub>2</sub>O<sub>2</sub> per min at pH = 5.1 at 35°C, equivalent to an O<sub>2</sub> uptake of 22.4 μl per min.

### Connector types for AC1.GOD sensors range

	KA1	KA1.S	KA1.C	KA4
AC1.GOD	✓	✓	✓	✓

Datasheet: [AC1.GOD](#)

### Evaluation Unit

- PalmSense

### Sensor Usage

- Measurement of  $\beta$ -D-Glucose concentration

### Expiration

- 12 months at temperature 4 - 7°C

### Transport

- Sensors are delivered in thermoboxes keeping low temperature when ambient temperature may exceed 40 degrees Celsius.

### Ordering information

- The order reference: AC1.GOD
- Minimum order quantity - 20 sensors
- Orders in multiples of 20
- Delivery time for standard AC1.GOD sensors is 4 weeks from receipt of order
- Delivery time for non-standard AC1.GOD sensors depends on final technical specification of order

### Examples of Order

- 100 pieces - AC1.GOD

### Electrochemical measurement of glucose using sensors with immobilized glucose oxidase enzyme - Calibration curve

