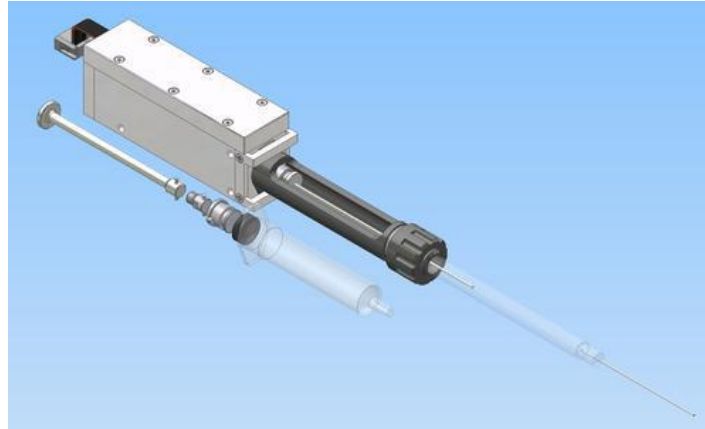


## LINEAR PUMP

Type: LP.\*

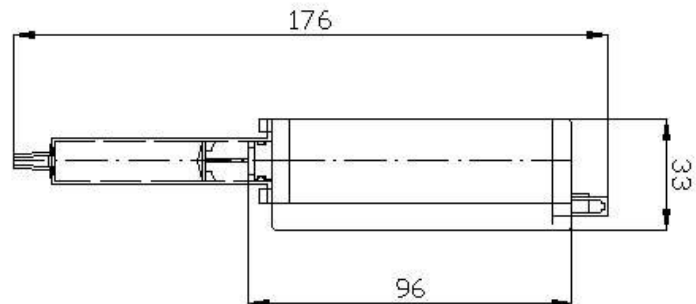
### Description

The linear pump LP.\* consists of miniature motor with digital encoder and planetary gear, which is in aluminium body of pump. The motor drives the screw which moves the piston in syringe in both directions. The pump is designed for extremely small applications such as medical or military applications. It can be used in hand-held devices. The main advantage is no pulsation and easy connection with syringe piston. The pump can supply liquid through flow cells FC2, FC3 or FC4. Linear pump is delivered with optional Hamilton syringe holder.



### Physical parameters

Weight:	220 gms
Length:	33 mm
Width:	25 mm
Height:	176 mm
Syringe volume:	5 ml



### Additional Technical Parameters

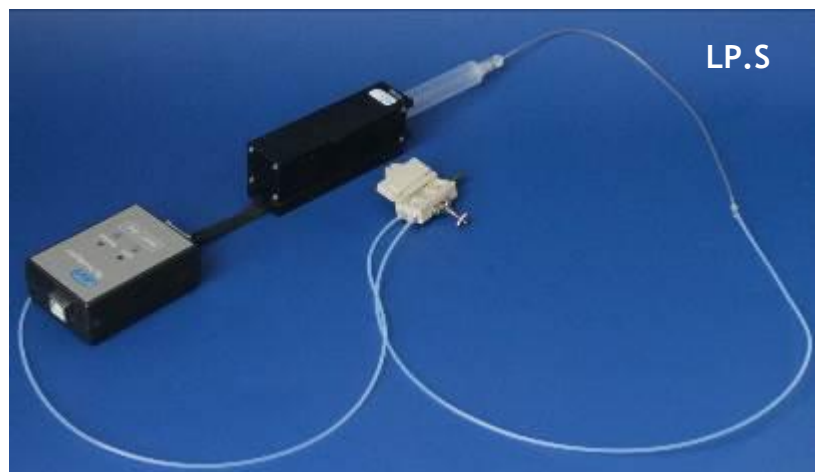
Flow rate: 0 - 250 µl/min

### Optional Equipment

- FC2
- FC3

### Device Usage

- Portable device
- Hand-held device
- Low power application



Types

[Datasheet: LP.\\*](#)

LP.5 - LP with 5 ml plastic syringe

LP.1 - LP with 5 ml plastic syringe + Hamilton Syringe volume 5  $\mu$ l

LP.2 - LP with 5 ml plastic syringe + Hamilton Syringe volume 50  $\mu$ l

LP.3 - LP with 5 ml plastic syringe + Hamilton Syringe volume 500  $\mu$ l

### LP.1 - with Hamilton Syringe



### Software Packs

Control SW is available for:

The SW enables to control the pump via programme. Flow rate and dosed amount can be programmed. The pump is operated as USB device.

### Ordering information

- The order is specified by whole product code
- Minimum order quantity - 1 linear pump
- Delivery time for standard LP.\* is 7 - 9 weeks from receipt of order

### Example of Order

- 10 pieces - LP.1